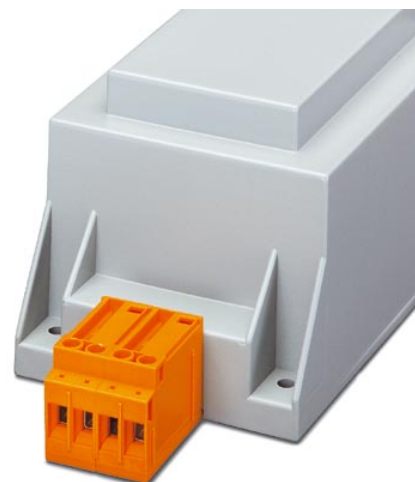


VTRK 4-SI/C OG

Order No.: 3004508

<http://eshop.phoenixcontact.de/phoenix/treeViewClick.do?UID=3004508>

Feed-through terminal block, Connection method: Screw connection,
Length: 23.4 mm, Width: 12.4 mm, Height: 29.7 mm, Color: orange

Commercial data

GTIN (EAN)	 4 017918 090814
Note	Made-to-order
sales group	A404
Pack	50 pcs.
Customs tariff	85369010
Catalog page information	Page 315 (CL-2002)

Product notes

WEEE/RoHS-compliant since:
01/01/2003



<http://www.download.phoenixcontact.com>
Please note that the data given here has been taken from the online catalog. For comprehensive information and data, please refer to the user documentation. The General Terms and Conditions of Use apply to Internet downloads.

Technical data**General**

Number of connections	4
Color	orange
Insulating material	PA

Inflammability class acc. to UL 94	V0
Dimensions	
Width	12.4 mm
Length	23.4 mm
Height	29.7 mm
Technical data	
Rated surge voltage	0.8 kV
Pollution degree	3
Surge voltage category	III
Nominal current I_N	10 A (is determined by the fuse used)
Nominal voltage U_N	(voltage data only possible in conjunction with transformer)
Connection data	
Conductor cross section solid min.	0.2 mm ²
Conductor cross section solid max.	6 mm ²
Conductor cross section stranded min.	0.2 mm ²
Conductor cross section stranded max.	4 mm ²
Conductor cross section AWG/kcmil min.	24
Conductor cross section AWG/kcmil max	10
Conductor cross section stranded, with ferrule without plastic sleeve min.	0.25 mm ²
Conductor cross section stranded, with ferrule without plastic sleeve max.	4 mm ²
Conductor cross section stranded, with ferrule with plastic sleeve min.	0.25 mm ²
Conductor cross section stranded, with ferrule with plastic sleeve max.	2.5 mm ²
2 conductors with same cross section, solid min.	0.2 mm ²
2 conductors with same cross section, solid max.	1.5 mm ²
2 conductors with same cross section, stranded min.	0.2 mm ²
2 conductors with same cross section, stranded max.	1.5 mm ²
2 conductors with same cross section, stranded, ferrules without plastic sleeve, min.	0.25 mm ²
2 conductors with same cross section, stranded, ferrules without plastic sleeve, max.	1.5 mm ²

2 conductors with same cross section, stranded, TWIN ferrules with plastic sleeve, min.	0.5 mm ²
2 conductors with same cross section, stranded, TWIN ferrules with plastic sleeve, max.	2.5 mm ²
Connection method	Screw connection
Stripping length	8 mm
Internal cylindrical gage	A4
Screw thread	M3
Tightening torque, min	0.6 Nm
Tightening torque max	0.8 Nm

Certificates / Approvals



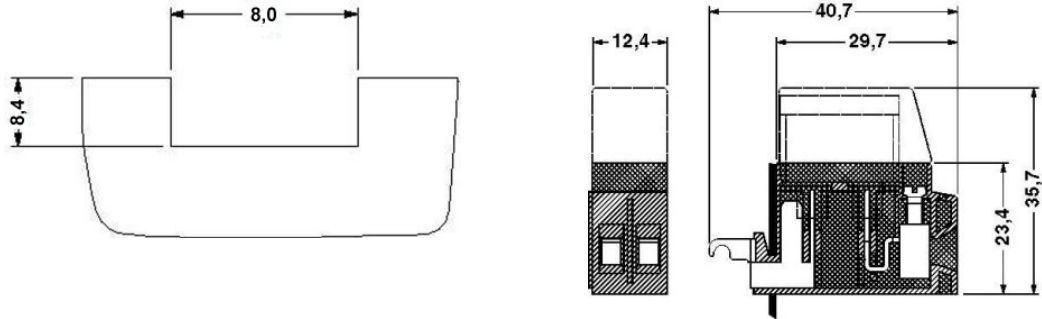
Certification CSA, CUL, UL

Accessories

Item	Designation	Description
Fuse		
0913689	SI FORM C 2 A	Flat-type plug-in fuse, type C, color code: gray, nominal current: 2 A
0913773	SI FORM C 3 A DIN 72581	Flat-type plug-in fuse, type C, color code: violet, nominal current: 3 A
0913731	SI FORM C 4 A DIN 72581	Flat-type plug-in fuse, type C, color code: pink, nominal current: 4 A
0913692	SI FORM C 5 A DIN 72581	Flat-type plug-in fuse, type C, color code: light brown, nominal current: 5 A
0913715	SI FORM C 10 A DIN 72581	Flat-type plug-in fuse, type C, color code: red, nominal current: 10 A
0913702	SI FORM C 7,5 A DIN 72581	Flat-type plug-in fuse, type C, color code: brown, nominal current: 7.5 A

Diagrams/Drawings

Dimensioned drawing



Address

PHOENIX CONTACT Inc., USA
586 Fulling Mill Road
Middletown, PA 17057, USA
Phone (800) 888-7388
Fax (717) 944-1625
<http://www.phoenixcon.com>



© 2011 Phoenix Contact
Technical modifications reserved;